

# iP501-224

ANSI **Honeywell Dolphin 99EX** Universal Optical Probe



## FEATURES

- **New ANSI compatible design**
- New Smaller Housing design made of Polycarbonate with Glass Fiber Reinforcement
- Compatible with either ANSI C12.18 or latest
- Designed for use with Honeywell Dolphin 99EX Handheld computers
- Compatible with virtually all ANSI utility meters, registers and recorders
- Power to Probe controlled by HH meter reading software
- Rugged with original manufacturer's Cup Assembly Cable
- Even lighter weight for reduced fatigue, wear and tear
- Polycarbonate filter to enhance infrared (IR) communications
- Powerful magnets in probe head for attaching to meter's optical port



## OVERVIEW

The NEW **iP501-224** Universal Optical Probes are designed for reading and programming **ANSI** electrical power meters.

**NOW, OUR NEW DESIGN INCORPORATES A SMALLER HOUSING FOR LIGHTER WEIGHT.**

In addition, the new smaller housing design is still rugged with its Polycarbonate Glass Fiber Reinforcement material.

These probes are configured for use with the **Honeywell Dolphin 99EX** handheld computers. Their optical circuitry supports **ANSI C12.18-1996** or latest communication protocol. They are compatible with virtually all ANSI utility meters, registers, and recorders. They obtain their power directly from the handheld computer and it is controlled by the meter reading software.

The NEW **iP501-224** Optical Probes solve problems relating to mechanical wear-out due to the demanding environment under which probes are constantly subjected to. We address this problem using the most rugged mechanical and electrical design in the industry. These probes are designed with an almost indestructible Polycarbonate head that contains powerful magnets that ensure a good retention when attached to the meter's optical port. This claim is backed with an aggressive warranty and service policy.

# TECHNICAL SPECIFICATIONS

## METER ATTACHMENT ILLUSTRATION

### Mechanical Specifications

Physical size	Length 2.14", Width 1.38", Height 1.14"
Cable Type	Straight , Black PVC, Hytrel construction, Cup Assembly
Cable Length	Approx. 5.5 Feet Long or 1.77 Meters Long
Connector	PDT 18-Pin Connector
Weight	Complete assembly weighs a maximum of 5.6 ounces (0.35 lbs)
Finish	Probe Head Light Gray Polycarbonate
Reliability	One Year (1) warranty for parts and labor

### Electrical Specifications

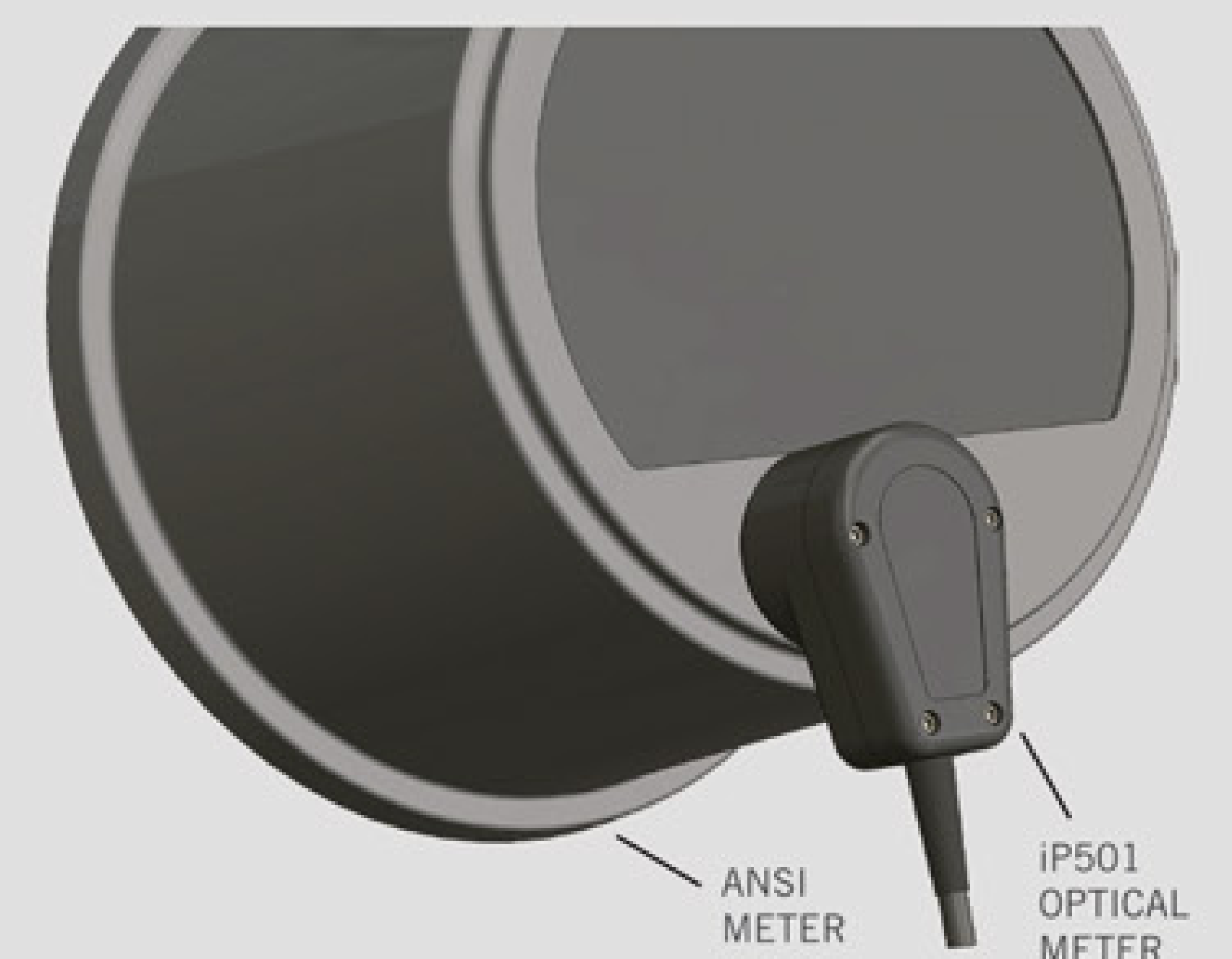
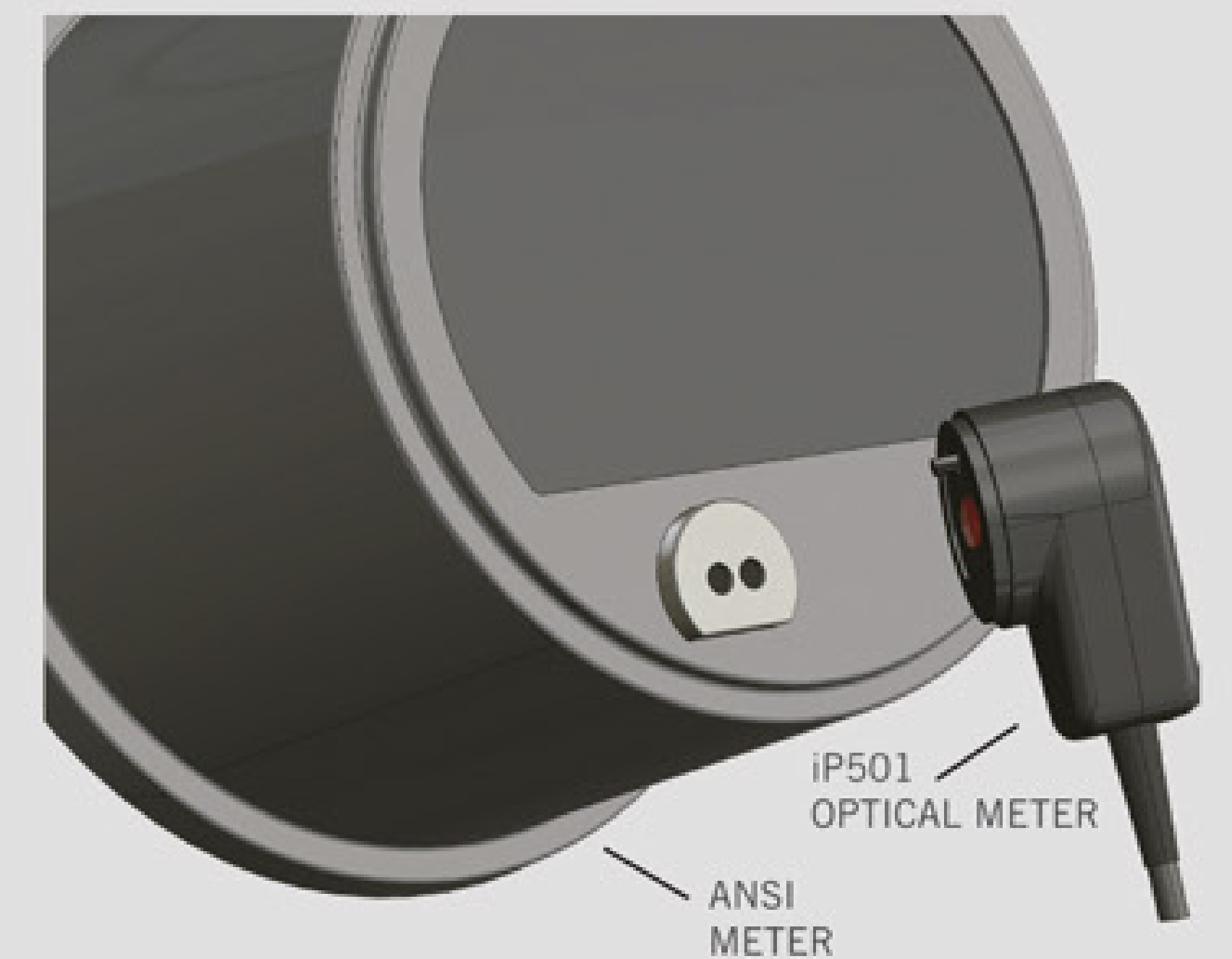
Signal Spec.	Serial RS232
Compatibility	ANSI C12.18-1996 or latest
Power Req.	Operating supply voltage: +5V DC (from computer's RS232 port)
Data Rate	Data Rate Controlled by meter for OPTOCOM interface, 0 to 19,200 baud for Non-OPTOCOM meters
Optical	880 nm bi-directional IR interface

### Environmental Specifications

Temperature	Operating -30° to 60° C; Storage -40° to +85° C
Ruggedness	Meets the requirements of a numbers of tests including those for Thermal Shock, Humidity, Water Resistance, RF Susceptibility, ESD, Drop, Random Vibration, Solar Radiation, Salt, Fog and Low Pressure.
PC Interface	Honeywell Dolphin 99EX

### Some Compatible Meters

ABB	2550, 2650, All Alpha, Alpha T, A3, Alt, Alr-al, 2430, others
Aptech/Robinton	LPR1, LPR2, LPR3, SR500, TR403, TR804
General Electric	KV, KV2, KV2-C, others
IUSA	Various
Siemens (Landis&Gyr)	CTR101, CTR102, DC, DCR, DD, DG100, DT, DX, DXR, SD100, SM101, SM301, TMC101, LINC, DCRMA, DDMA, S4 family, AX series, RX series, MAXSYS 2410, MAXSYS 2510, Quad 4, others
Metricom	C
PSI	S100, S200, Quad 4
Pwr Measurement	ION 7000 series, 8000 series
Quad Logic	RSM-5
Itron (Schlumbergër)	Datastar, Fulcrum, MT100, MT200, Quantum, Q1000, Sentinel, Centron, Vectron
Synergistics	B40
Transdata	EMA, Mark V
Others	Not listed - to be added



## ABOUT US

- We were founded in 2010 with one purpose in mind: to provide high-quality products, services, and support to customers in the utility meter reading industry.
- We manufacture optical probes for reading and programming ANSI and IEC electric meters.
- We carry the most durable, mechanical and electrical design in the industry.
- Our probes can be configured to interface with virtually any handheld computer or PDA available in today's market.

## DURABLE & RUGGED OPTICAL PROBES

Our iP500 Series probes feature a highly-resistant aluminum head and now our iP501 Series probes feature a light-weight Polycarbonate head, both designed with powerful magnets to ensure great retention when attached to the meter's optical ports.



## PROBES FOR HANDHELDS

Our universal optical probes can be configured to interface with handhelds such as DAP Technologies, Itron, Intermecc, Radix, and others.

## PROBES FOR PCS

Our probes are designed to interface with desktop or laptop PC computers through serial RS232 or USB communication ports.

## CUSTOMIZED SOLUTIONS

We specialize in the production, repair & maintenance of the most popular probes in the market!

We design, manufacture and market a range of optical probes designed to program and read electric and gas meters that incorporate the ANSI Type 2 as well as IEC Flag optical ports.

## YOUR METER READING SOLUTION

No matter what computer you are using out in the field for your meter data collection, you can be sure that we can provide an optical probe for that application.

## REPAIRS & MAINTENANCE

We offer quality repairs and maintenance on probes manufactured by Intelliprobe and its predecessors (US Microtel and Dataacquisition Technologies) to meet your budget and planning requirements.



[www.intelliprobe.net](http://www.intelliprobe.net)

2041 Industrial Drive  
McAllen, Texas 78504

Tel: (956) 630-1833  
Fax: (956) 630-2241  
Toll Free: (877) 634-1833

 **intelliprobe** WWW.INTELLIPROBE.NET