

iP503-222 "ANSI"

Honeywell Dolphin 9900 Optical Probe with TX/RX LED



FEATURES

- New **ANSI** Compatible Design
- New Bi-Color LED Indicator for TX / RX Communication Signals
- New Smaller Housing Design Made of Polycarbonate with Glass Fiber Reinforcement
- Compatible with **ANSI C12.18-1996** or **2006**
- Designed for use with **Honeywell Dolphin 9900** Handheld Computers
- Compatible with Virtually All Utility Meters, Registers and Recorders
- Power to Probe Controlled by HH Meter Reading Software
- Rugged and Long Lasting Gray Polyurethane Coiled Cord (18" long Ext. to 10')
- Even Lighter Weight for Reduced Fatigue, Wear and Tear
- Polycarbonate Filter to Enhance Infrared (IR) Communications
- Powerful Magnets in Probe Head for Attaching to Meter's Optical Port



OVERVIEW

The NEW iP503-222 'ANSI' Universal Optical Probes are designed for reading and programming ANSI electrical power meters. Their new design features a Bi-Color LED on the probe cover to indicate the TX and RX communication signals that turn RED and GREEN, respectively, while communicating with the meter. In addition, they incorporate a new smaller housing design that make them even lighter weight but still rugged with their Polycarbonate Glass Fiber Reinforcement material.

These probes are configured for use with the Honeywell Dolphin 9900 handheld computers. Their optical circuitry supports ANSI C12.18-1996 or 2006 communication protocols. The design features make them universally compatible to read virtually all ANSI utility meters, registers, and recorders. They obtain their power directly from the handheld computer and it is controlled by the meter reading software.

The NEW iP503-222 'ANSI' Optical Probes solve problems relating to mechanical wear-out due to the demanding environment under which probes are constantly subjected to. We address this problem using the most rugged mechanical and electrical design in the industry. These probes are designed with an almost indestructible Polycarbonate head that contains powerful magnets that ensure a good retention when attached to the meter's optical port. They are also designed with a high-endurance polyurethane molded cable 18" long that withstands the outside rugged environment. This claim is backed with an aggressive warranty and service policy.

TECHNICAL SPECIFICATIONS

Mechanical Specifications

Physical size	Length 2.14", Width 1.38", Height 1.14"
Cable Type	Coiled, Gray Polyurethane and Hytrel construction, Flexible and Rugged
Cable Length	18" Coiled, extends to 10'
Connector	DB17, 17-pin, D-Sub, Male
Weight	Complete assembly weighs a maximum of 5.6 ounces (0.35 lbs)
Finish	Probe Head Light Gray Polycarbonate
Reliability	One-Year (1) warranty for parts and labor

Electrical Specifications

Signal Spec.	Serial RS232
LED Indicator	TX (Red), RX (Green)
Compatibility	ANSI C12.18-1996 or 2006
Power Req.	Operating supply voltage: +5V DC (from computer's RS232 port)
Data Rate	Controlled by meter for OPTOCOM interface, 0 to 19,200 baud for Non-OPTOCOM meters
Optical	880 nm bi-directional IR interface

Environmental Specifications

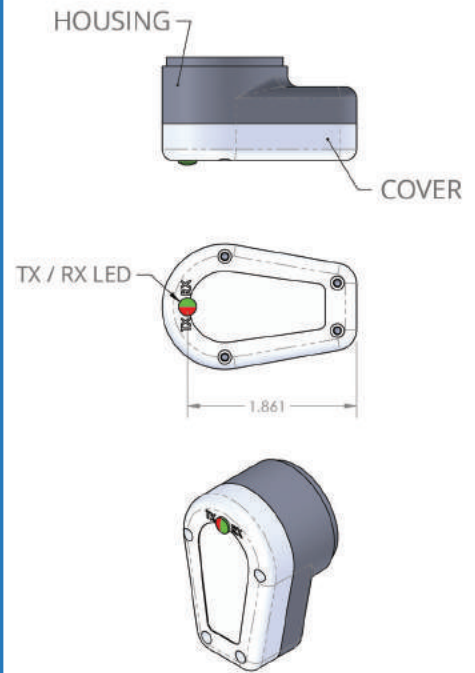
Temperature	Operating -30° to 60° C; Storage -40° to +85°
Ruggedness	Meets the requirements of a numbers of tests including those for Thermal Shock, Humidity, Water Resistance, RF Susceptibility, ESD, Drop, Random Vibration, Solar Radiation, Salt, Fog and Low Pressure.

PC Interface

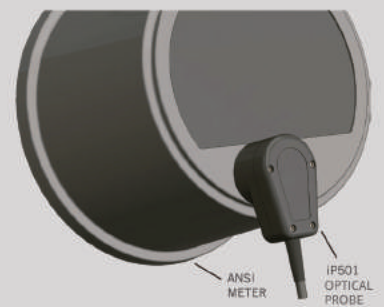
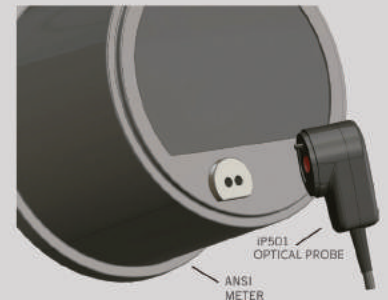
Honeywell Dolphin 9900

Some Compatible Meters

ABB	2550, 2650, All Alpha, Alpha T, A3, Alt, A1R, A1R+, 2430, others
Aptech/Robinton	LPR1, LPR2, LPR3, SR500, TR403, TR804
General Electric	KC901, KTC-901, KV, KV2, KV2-C, others
IUSA	Various
Siemens (Landis&Gyr)	CTR101, CTR102, DC, DCR, DD, DG100, DT, DX, DXR, SD100, SM101, SM301, TMC101, LINC, DCRMA, DDMA, S4 family, AX series, RX series, MAXSYS 2410, MAXSYS 2510, Quad 4, others
Metricom	C
PSI	S100, S200, Quad 4
Pwr Measurement	ION 7000 series, 8000 series
Itron (Schlumbergër)	Datastar, Fulcrum, MT100, MT200, Quantum, Q1000, Sentinel, Centron, Vectron
Synergistics	B40
Transdata	EMA, Mark V
Others	To be added



METER ATTACHMENT ILLUSTRATION



intelliprobe

www.intelliprobe.net
2041 Industrial Drive, McAllen, Texas 78504

Tel: 956-630-1833
Fax: 956-630-2241